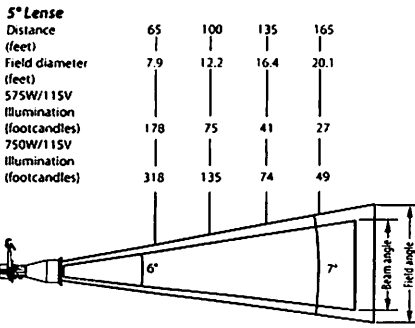
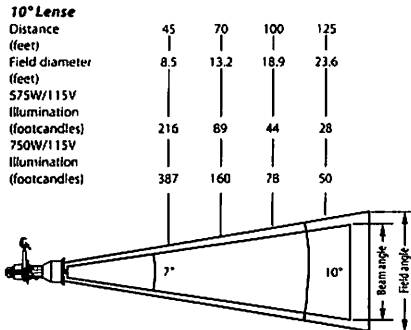


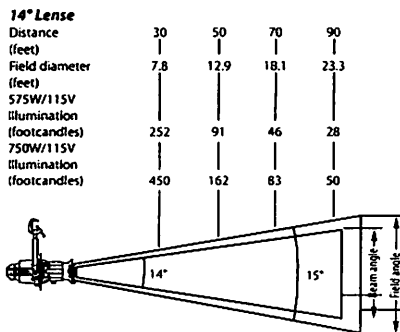
Source 4 PHOTOMETRIC



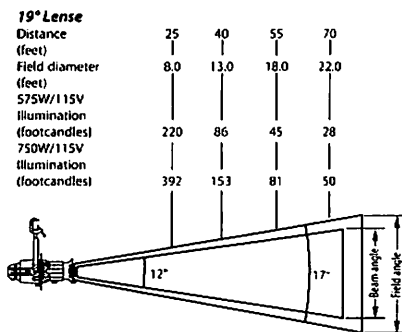
For Field diameter at any distance, multiply distance by .12
For Beam diameter at any distance, multiply distance by .11



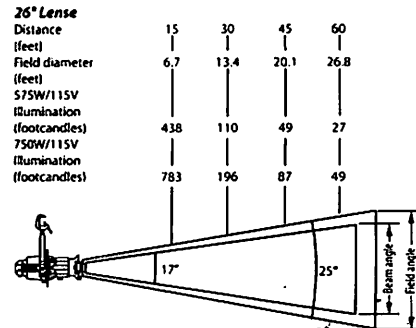
For Field diameter at any distance, multiply distance by .17
For Beam diameter at any distance, multiply distance by .12



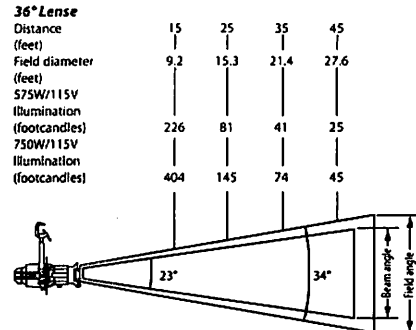
For Field diameter at any distance, multiply distance by .26
For Beam diameter at any distance, multiply distance by .21



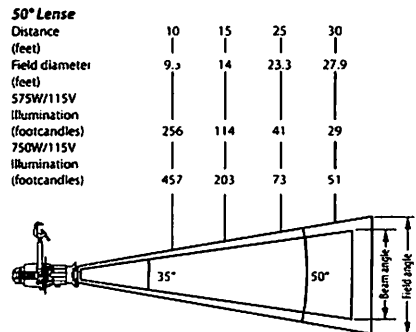
For Field diameter at any distance, multiply distance by .31
For Beam diameter at any distance, multiply distance by .21



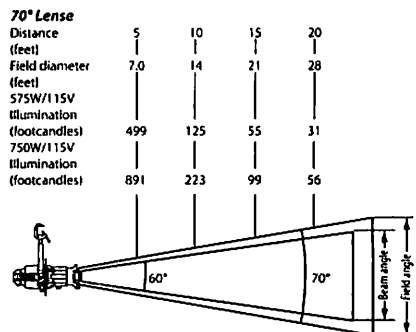
For Field diameter at any distance, multiply distance by .45
For Beam diameter at any distance, multiply distance by .30



For Field diameter at any distance, multiply distance by .63
For Beam diameter at any distance, multiply distance by .41



For Field diameter at any distance, multiply distance by .95
For Beam diameter at any distance, multiply distance by .60



For Field diameter at any distance, multiply distance by 1.40
For Beam diameter at any distance, multiply distance by 1.14