



Fixture Type:

The Star★PAR™ CDM lighting fixture is available as a 39-, 70- or 150-watt multi-purpose luminaire. Five distinct lenses supply light-beam shaping from a very narrow 6° and 70° very wide circle through a wide 18°×41° oval. The lens retainer rotates for beam orientation, and the lenses may be interchanged without the use of tools.

The versatility of these units is increased with a dual-channel removable accessory holder that accepts metal and glass color frames, snoots, and color-changers. For additional security, the accessory holder incorporates a self-closing, self-locking retainer.

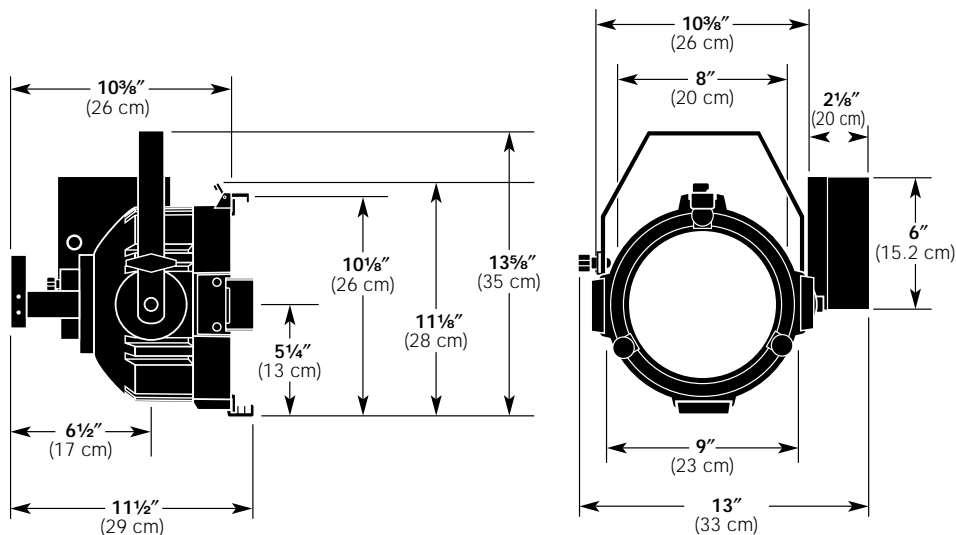
Long life and low-heat lamps with exceptionally high color-rendering indices make these units ideally suited for interior illumination, trade show lighting, and product display.

Specifications subject to change without notice.

39-, 70-, AND 150-WATT
STAR★PAR CDM

Features

- 12,000 hour CDM lamp with high color rendering index
- Rugged die-cast aluminum construction
- Reflector made of high-grade aluminum polished to a mirror finish
- Five tool-free interchangeable lenses optional
- Low-friction Hi-Temp lens holder with plastic handles fully rotational via three insulated finger tabs
- Replaceable two-slot accessory holder provided with self-closing and self-locking accessory retaining latch
- Yoke supplied with positive locking dog
- Protective insulated rear mounted handle serving as cord wrap, stand, and focusing aid
- G12 lampholder accepting a wide variety of non-proprietary lamps
- Low-wattage lamps that drastically reduce power consumption
- Smaller lamp sizes greatly reducing lamp storage space
- Standard 10" accessories accepted
- 36" of three-conductor cable lead
- Up to 25' of Hi-Temp rubber cable optional
- Color frame and safety cable with spring clip included
- U.L.- and c.U.L.-listed with accepted lamps
- Made in the U.S.A.



39-, 70-, AND 150-WATT STAR★PAR CDM

Specifications

Housing: Die-cast aluminum construction.

Materials: Corrosion-resistant materials and hardware.

Yoke: Steel flat stock with clearance hole for 1/2" bolt. Tilt angle is secured with eccentric disc and heat-resistant handle.

Reflector: High-grade aluminum, chemically polished and coated, parabolic design.

Lenses: Five different beam-shaping lenses available (see performance charts).

Lens Holder: Fully rotational, provided with three insulated finger tabs. Lenses interchangeable tool-free. 360° beam rotation.

Lamp/Socket: 39-, 70- or 150-watt UV-blocked G12 ceramic metal halide lamp; 5-kV-pulse rated socket.

atings: 120 volt operation, 50/60 Hz: 0.38 amps with 39-watt lamp and ballast; 0.58 amps with 70-watt lamp and ballast; 1.25 amps with 150-watt lamp and ballast. 240VAC and 277VAC operation also available.

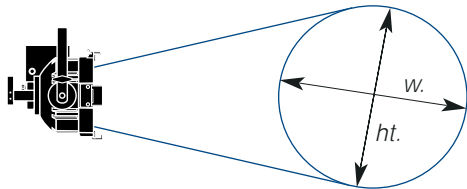
Cable: 4' of insulated three-conductor cable.

Focusing Fixture: Rear-mounted protective insulated handle for aiming.

Accessories: Removable front-end accessory holder equipped with two slots accepting standard 10" accessories. Accessory holder retaining latch self-closing and self-locking for safety.

Finish: Black epoxy Sandtex, electrostatic application.

Weight: Approx. 12 lbs. (5.4 Kg).



ACCESSORIES SUPPLIED WITH LUMINAIRE	
SC-36-BK	Safety Cable with Spring Clip
8-CF	Color Frame, 10"×10"
97-0150	Set of Four Lenses (VNSP, NSP, MFL, WFL)

Catalog Number
SPC-A

ADDITIONAL ACCESSORIES			
8-BD-4	Four-Leaf Barn Door	90-35CDMT6/830	39-Watt CDM Lamp 3000° K / 12,000 Hr.
8-SN	Snoot	90-70CDMT6/830	70-Watt CDM Lamp 3000° K / 12,000 Hr.
510	Malleable Iron Pipe Clamp	90-70CDMT6/830	70-Watt CDM Lamp 3000° K / 12,000 Hr.
510-BLK	Black Malleable Iron Pipe Clamp	90-70CDMT6/942	70-Watt CDM Lamp 4000° K / 12,000 Hr.
18-0110	Very Narrow Spot Lens	90-150CDMT6/830	150-Watt CDM Lamp 3000° K / 12,000 Hr.
18-0111	Narrow Spot Spread Lens	90-150CDMT6/942	150-Watt CDM Lamp 4000° K / 6,000 Hr.
18-0112	Medium Flood Spread Lens	90-150CDMSA/942	150-Watt CDM Lamp 4200° K / 5,000 Hr. Short Arc
18-0113	Wide Flood Spread Lens		
18-0114	Very Wide Flood Spread Lens		

LAMP INFORMATION

lamp type	watts	efficiency	color temp (°K)	rated life (hrs)	rated lumens	color rendering index	burn position
CDM 35/T6/830	39	>87 l/W	3000	12,000	3,400	81	any
CDM 70/T6/830	70	>92 l/W	3000	12,000	6,600	82	any
CDM 70/T6/942	70	>92 l/W	4000	12,000	6,600	92	any
CDM 150/T6/830	150	>93 l/W	3000	12,000	14,000	85	any
CDM 150/T6/942	150	>85 l/W	4000	6,000	12,700	95	any
CDM SA150/T6/942	150	>86 l/W	4200	5,000	12,900	96	any

PHOTOMETRIC DATA FOR ODC WITH 150-WATT CDM LAMP

lens	candle-power (cd)	beam angle	field angle	efficiency	distance		10'		20'		30'		40'		50'		60'	
					center beam fc (°)	ht. w. (°)	center beam fc (°)	ht. w. (°)	center beam fc (°)	ht. w. (°)	center beam fc (°)	ht. w. (°)	center beam fc (°)	ht. w. (°)	center beam fc (°)	ht. w. (°)		
Very Narrow Spot (VNSP)	359,500	6°×6°	17°×17°	73%	3,595	3 3	899	6 6	399	9 9	225	12 12	144	15 15	100	18 18		
Narrow Spot (NSP)	256,800	7°×7°	19°×19°	66%	2,568	4 6	642	7 7	285	10 10	161	13 13	103	17 17	71	20 20		
Medium Flood (MFL)	95,800	10°×21°	25°×33°	77%	958	8 11	240	9 12	106	13 18	60	18 24	38	22 30	27	26 36		
Wide Flood (WFL)	30,400	18°×41°	42°×59°	59%	304	6 11	76	15 23	34	21 34	19	30 45	12	38 57	8	46 68		
Very Wide Flood (VWFL)	10,146	56°×56°	79°×79°	71%	102	11 11	26	21 21	12	32 32	7	43 43	4	54 54	3	64 64		

Conversion Factors: 39-watt lamp, fc×0.24; 70-watt lamp fc×0.48. Lux = fc×0.0929.

ORDERING INFORMATION

model	color	lens	voltage	wattage
Part Number: SPC	() Black	A*		
	(W)hite		110	39
	(S)ilver		240	70
	(X) Custom		277	150

* Equipped with VNSP, NSP, MFL, and WFL lenses.